

Truck Crane AK 37

AK 37e



Technical Data

Permissible gross vehicle weight [t]	7.49 / 8.6 (8.8)
Max. payload [kg]	1,500 (opt. 3,000)
Max. extension length [m]	35 (opt. 37)
Working height up to jib [m]	23.6
Jib extendable [m]	4.9 / 8.0 / 11.1 (opt. 13.1)
Jib payload [kg]	1,500 / 800 / 500 / (250)
Boom angle [degrees]	85
Jib angle [degrees]	162
Pivoting range [degrees]	+/- 310
Hook speed [m/min]	45
Range for crane operation at 250 kg [m]	28.0 (opt. 30.0)
Range for crane operation at 500 kg [m]	21.0 (22.0 / 450 kg)
Range for crane operation at 1 t [m]	14.0
Range for crane operation at 2 t [m]	8.0
Range for crane operation at 3 t [m]	5.7
Range / Working height max. [m] with rotating basket 250 kg (PK 250-D)	21.1 / 30.5
Range / Working height max. [m] with non-rotating basket 200 kg	22.0 / 30.5
Drive	PTO / 400 V hybrid / 230 V hybrid with battery

All rights reserved for changes. All specified values are maximum values.






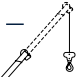

Without a doubt the AK 37 can be considered the No. 1 in the weight class of 7.49 t. Mounted on MAN or Mercedes-chassis this crane offers the highest possible value stability and investment security. Its low fuel-consumption is another monetary and environmental-friendly advantage. In the latest generation, the crane is also available as AK 37e with additional e-drive and battery with 230 V charging technology.

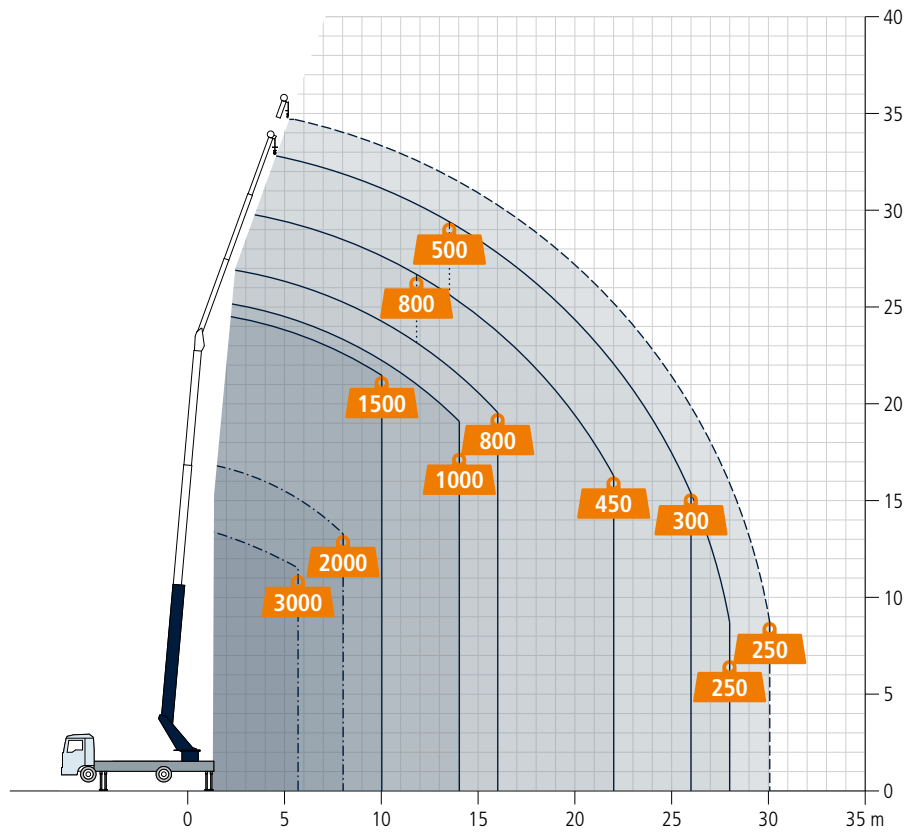
The most compact Bocker mounted crane has no boom overhang at the front of the vehicle and therefore is surely the best choice for crowded city traffic as well as for use on tight job sites. With a radius of 28 m at a load of 250 kg, you can easily reach the rear side of roofs and buildings. And thanks to its extremely small slewing radius, it can be used with one-sided support while traffic is still running.

Available with **BockerConnect**

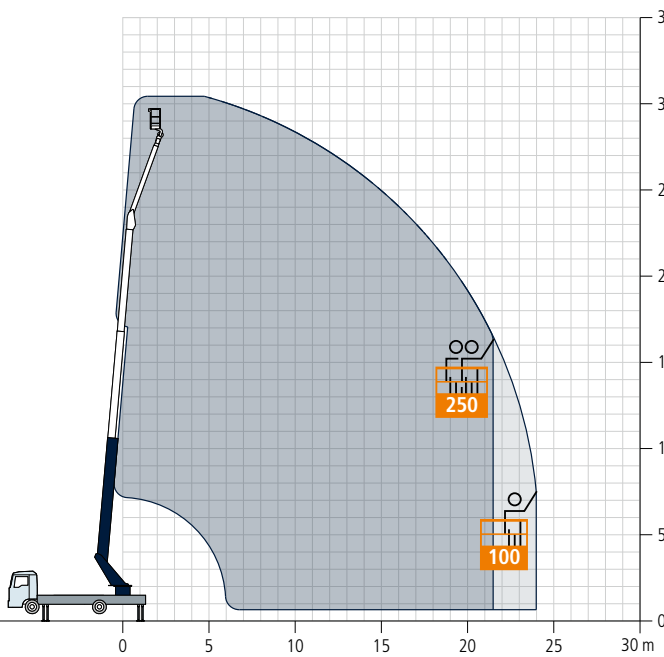
Bocker
MY WAY TO THE TOP

Working range crane operation

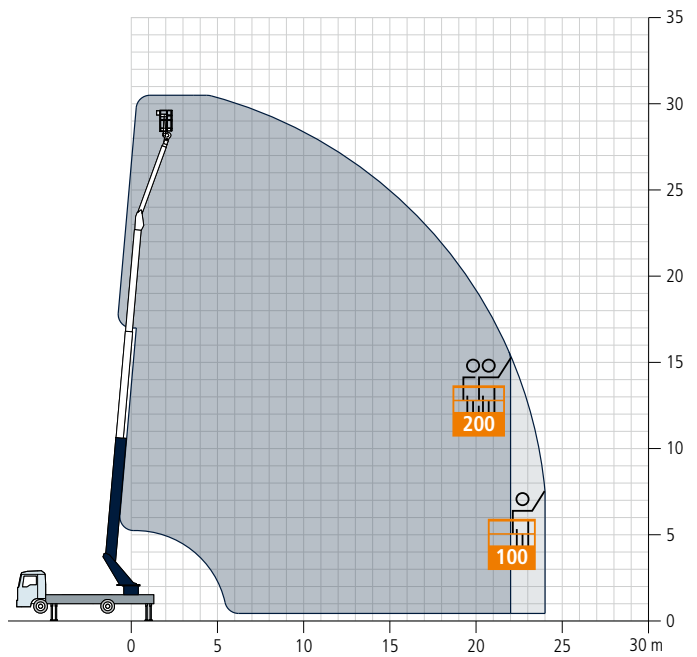
-  Load in kg
-  Single-fall operation
-  Two-fall operation
-  With jib-extension (2 m)
-  Increased jib load with reduced working range



Working range platform operation



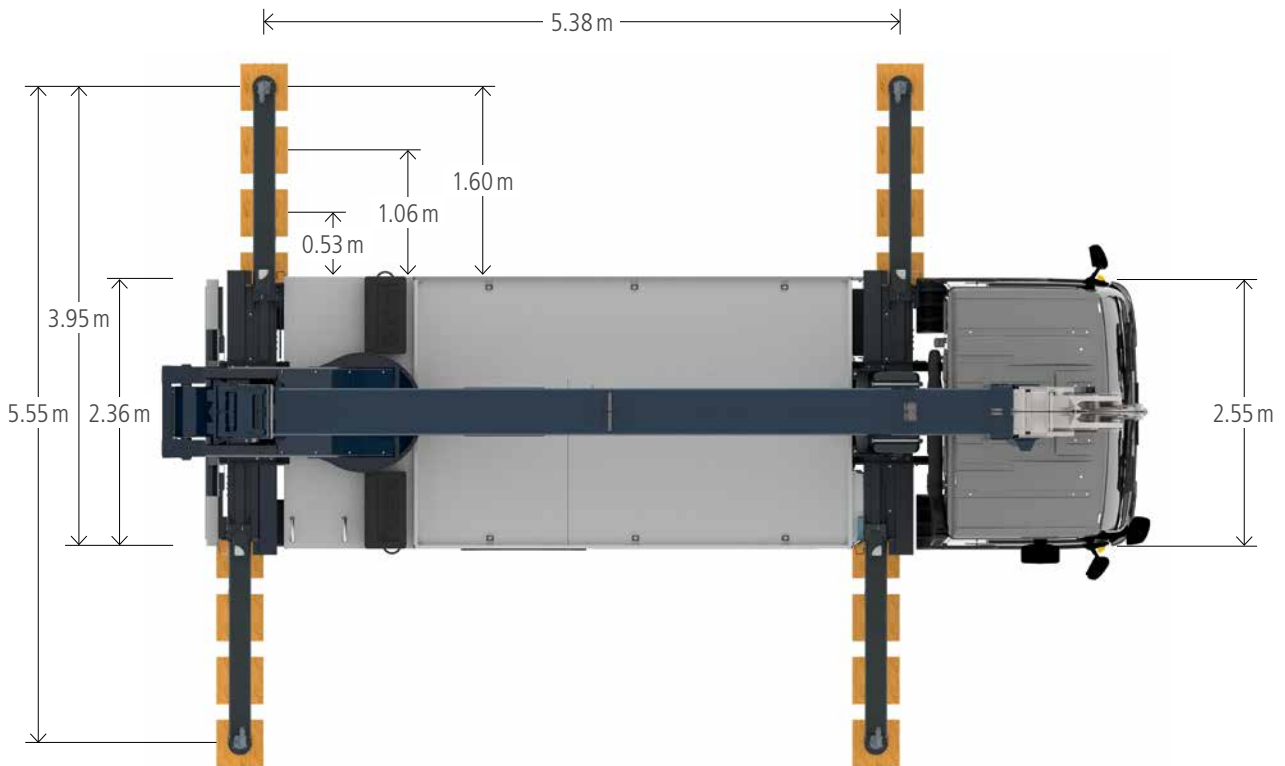
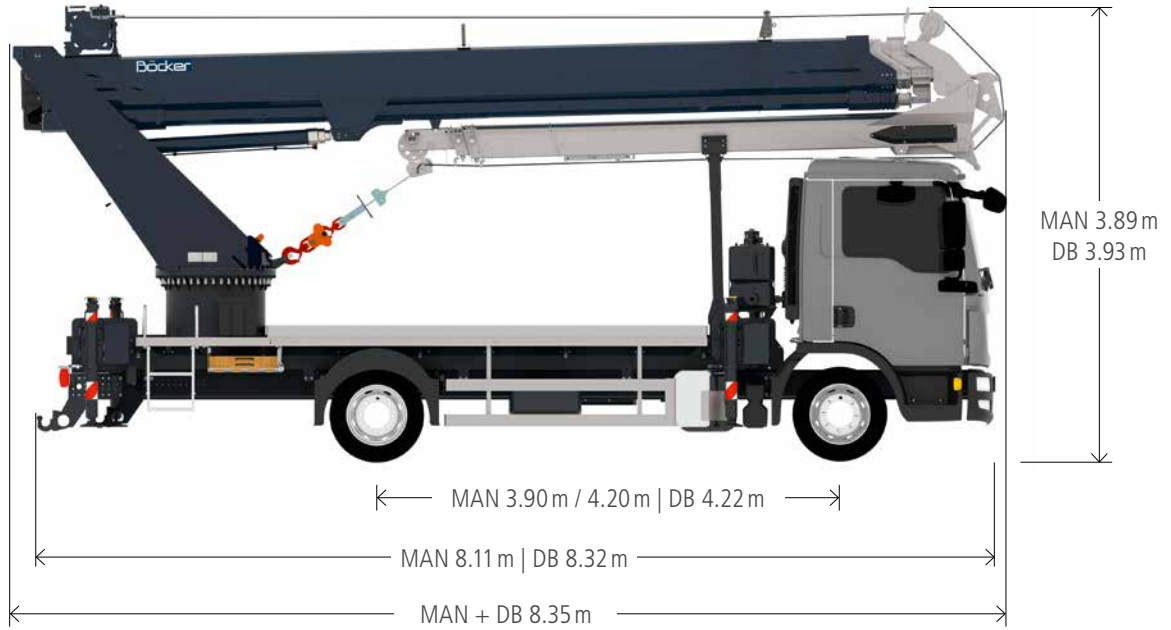
Rotating basket PK 250-D, capacity of max. 250 kg



Non-rotating basket PK 200-1, capacity of max. 200 kg

All weights are in kg.
Measurements can fluctuate slightly.

Dimensions



All weights are in kg.
Measurements can fluctuate slightly.

Böcker

www.boecker.de

Böcker Maschinenwerke GmbH

Lippestr. 69-73
59368 Werne

Fon +49 2389 79890
info@boecker.de