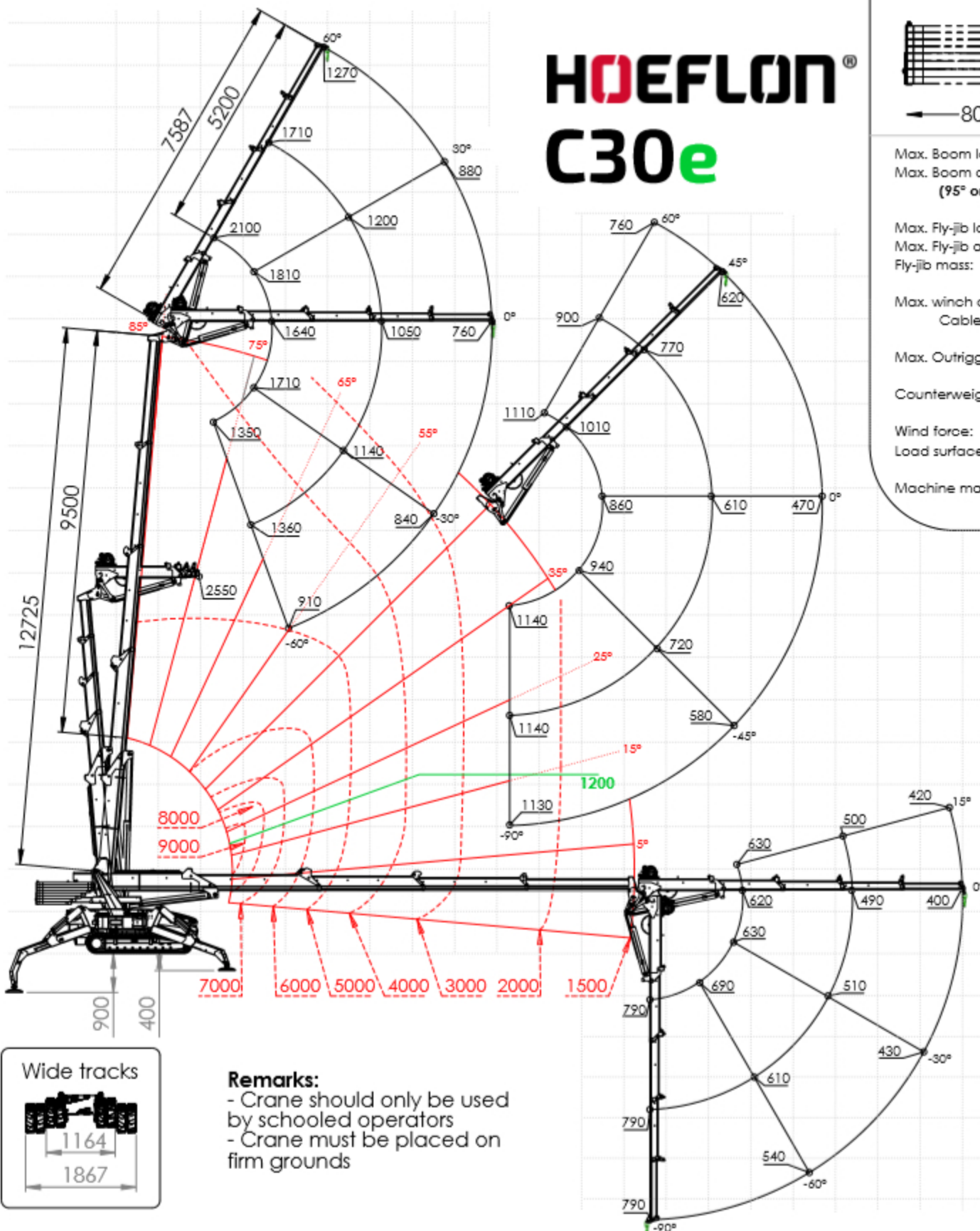
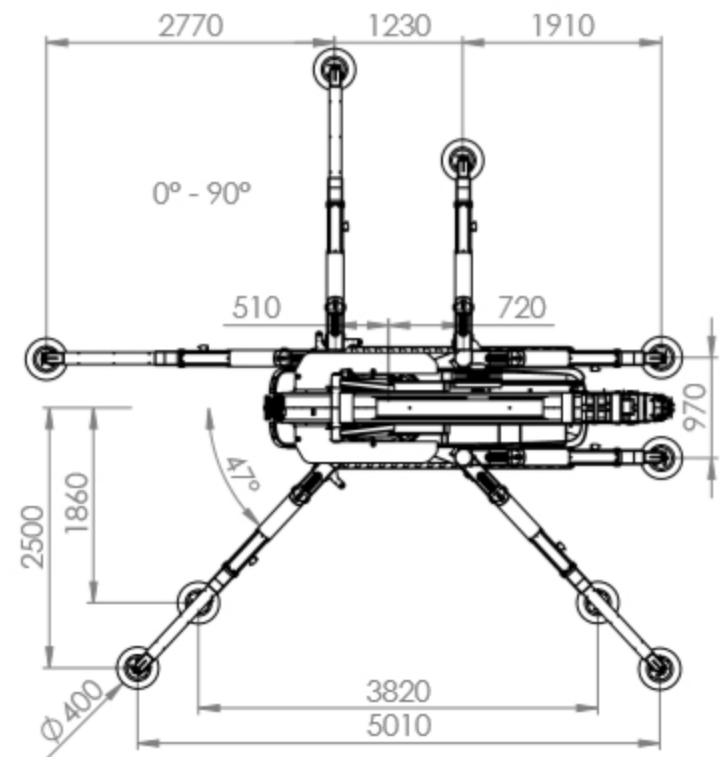


HOEFLON[®] C30e



- Max. Boom load: 9000 kg
- Max. Boom angle: 85°
(95° only at boomlength <6.5 m)
- Max. Fly-jib load: 3000 kg
- Max. Fly-jib angle: 60°
- Fly-jib mass: 725 kg
- Max. winch cable force: 1000 kg
- Cable length: 40 m
- Max. Outrigger force: 8900 kg
- Counterweight mass: 2300 kg
- Wind force: 6 (40 km/h)
- Load surface: 1,2 m²/ton
- Machine mass, without Jib: 8000 kg



		LOAD FLYJIB + COUNTERWEIGHT EXTENDED [kg]								
Boom Angle	Jib Length	3,2 m			8,0 m			12,7 m		
		2,4 m	5,0 m	7,6 m	2,4 m	5,0 m	7,6 m	2,4 m	5,0 m	7,6 m
85°	60°	2400	1980	1270	2400	1980	1270	2100	1710	1270
	30°	2550	1880	1120	2550	1880	1120	1810	1200	880
	0°	2550	1440	920	2550	1440	920	1640	1050	760
	-30°	2500	1340	850	2500	1340	850	1710	1140	840
	-60°	1350	1360	910	1350	1360	910	1350	1360	910
60°	60°	2400	1980	1270	2400	1980	1270	1340	1060	880
	30°	3000	1930	1120	2760	1690	1120	1100	790	610
	0°	3000	1540	980	2460	1480	980	1010	710	530
	-45°	1700	1710	1160	1700	1710	1160	1110	840	660
	-90°	1140	1140	1130	1140	1140	1130	1140	1140	1130
45°	60°	2400	1980	1270	2400	1980	1270	1110	900	760
	45°	2770	2070	1140	2640	1760	1140	1010	770	620
	0°	3000	1580	1000	2120	1330	950	860	610	470
	-45°	1700	1710	1270	1700	1650	1230	940	720	580
	-90°	1140	1140	1130	1140	1140	1130	1140	1140	1130
20°	35°	3000	1970	1120	1900	1410	1050	750	610	510
	20°	3000	1760	1080	1790	1270	930	720	570	470
	0°	3000	1610	1030	1730	1200	870	700	550	450
	-45°	1700	1710	1380	1700	1460	1120	740	620	530
	-90°	1140	1140	1130	1140	1140	1130	900	900	900
0°	15°	3000	1610	1020	1670	1210	900	630	500	420
	0°	3000	1610	1030	1630	1180	870	620	490	400
	-30°	2500	1810	1170	1690	1260	960	630	510	430
	-60°	1350	1360	1380	1350	1360	1330	690	610	540
	-90°	1140	1140	1130	1140	1140	1130	790	790	790