

HOEFLON

TC1

TRACKED CARRIER

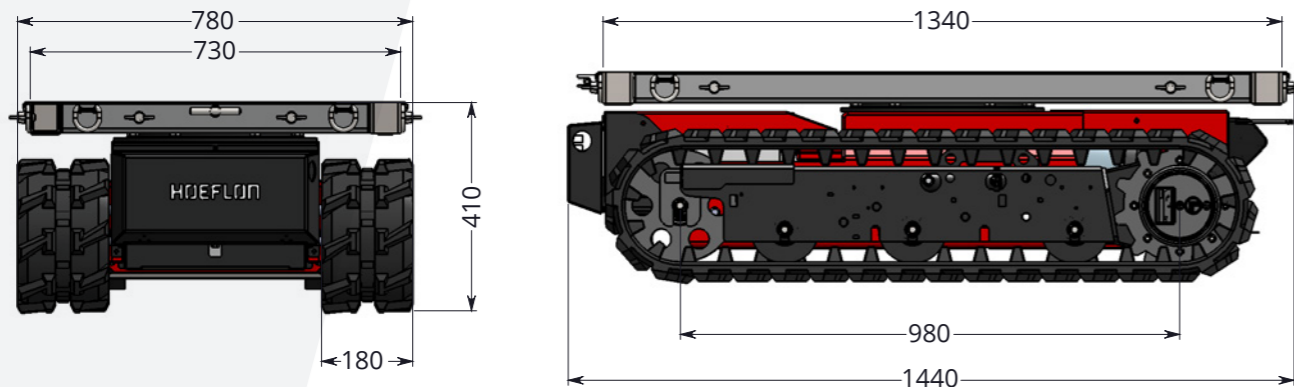


HOEFLON[®]



HOEFLON TC1

The TC1 carrier is the solution for horizontal transport of long, heavy construction material and equipment at a project site. The carrier is compact and just 80 cm wide, and material can be placed on it in the length or width. The radio remote controlled carrier is perfect for transporting material, such as steel beams, through small access doors and less easily accessible areas. No more heavy lifting for your personnel. Ergonomic, efficient and safe!



Standard configuration

Capacity	1.200kg
Net weight	500kg
Dimensions (lxwxh)	1450 x 800 x 420mm
Drive	electric
Power supply	battery pack
Charger	230V 50Hz
Charging time	13 hrs
Ground pressure	0.15kg/cm ²
Max. speed	2.2km/h
Speed controller	proportional operation
Max. slope angle	25°
Max. tilt angle	20°
Load platform (lxw)	1340 x 730mm
Type platform	swivel

Accessories/Options

Tracks	non-marking
External power supply	230V

The TC1 can carry a load of 1200kg. Thanks to the crawler tracks, the carrier can easily drive over a rough surface yet causes no damage to finished floors.





TC1 IN A NUTSHELL

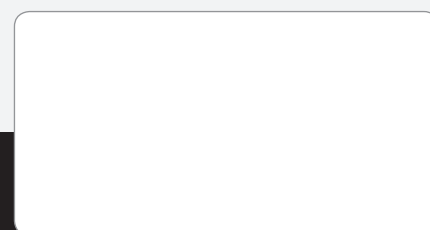
- › Compact, strong and robust
- › Precisely manoeuvrable
- › Easy to attach load
- › Extendible platform
- › Silent thanks to electric drive
- › Swivel platform



WHY HOEFLON?

Hoeftlon transport solutions are extremely versatile, making them perfect for moving heavy materials in close quarters or difficult-to-reach areas at project sites. We are happy to offer advice concerning the best solution for your situation. Ask us about the possibilities!

Your Hoeftlon® dealer ▶



HOEFLON®

Made in Holland

Hoeftlon International B.V.

address Zwolleweg 2 3771 NR Barneveld, The Netherlands

tel. +31 (0)342 400288 email info@hoeftlon.com

HOEFLON.COM